



GUIDEMASTER®

TACTILE INDICATORS



PRODUCT DATA SHEET

Published August 2023

GMBD10

*Guidemaster Directional / Leading
Tactile Indicators—Solid Brass*

GMBD10 Guidemaster Tactile Ground Surface Directional Indicator – A Heavy Duty Solid Brass leading tactile indicator, recommended for indoors and outdoors, commercial carparks, footpaths, shopping centres, hospitals, schools – any public spaces requiring accessibility treatment.



SPECIFICATIONS

Masterspec Code	Interior: 6615FG / Exterior: 8281FG
Warranties	Installation warranty: 1 year Product warranty: 10 years
Code Compliance	NZTA RTS14 —Land Transport New Zealand – Guidelines for facilities for the blind and vision impaired. AS/NZS 1428.4.2009 —Design for access and mobility, Part 4 NZS4121:2001 —Design for access and mobility—building and associated facilities AS/NZS4586:2004 – Achieve slip resistance test with average COF #70 Land Transport’s Pedestrian Planning and Design Guide The Royal N.Z. Foundation for the Blind Design Guide Recommendations/ Specifications

Base Material	Solid brass
Dimensions	Length: 285mm Width: 35mm Height: 5mm
Features & Application	Provides direction to the blind and visually impaired
Installation Methods	Drill and Adhesive Fix or Drill and Friction Fit
Sustainability	Declare Label Certified LBC Compliant—Red List Approved
Slip Resistance Rating	P5 WET and DRY - SRV Value of 57
Luminance Test	Discrete Tactiles must be 45% to that of the surround substrate surface area.

- 8 Cooper Street, Havelock North 4130
PO Box 8740, Havelock North 4130
- Unit 2, 24 Inlet Road, Takanini
Auckland 2112
- 09 320 1338 or Toll Free 0800 687 004

ARCHITECTURAL PRODUCTS



Page 1



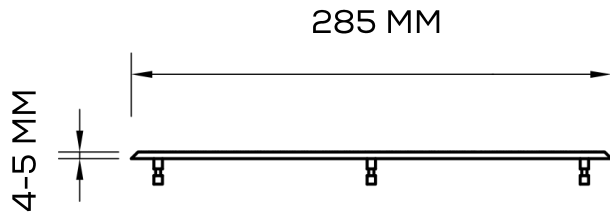


GUIDEMASTER®

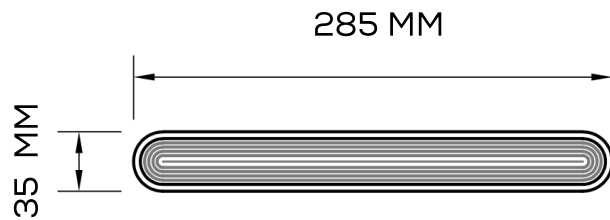
TACTILE INDICATORS



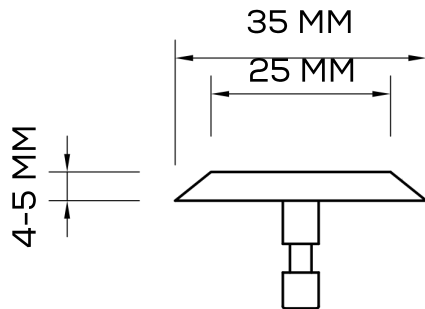
PRODUCT TECHNICAL DRAWING



SIDE VIEW

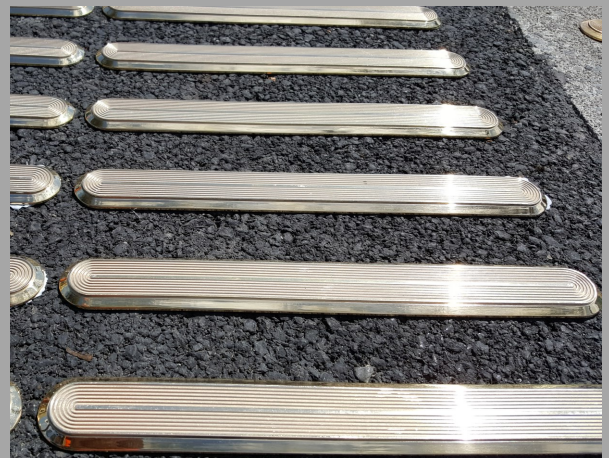
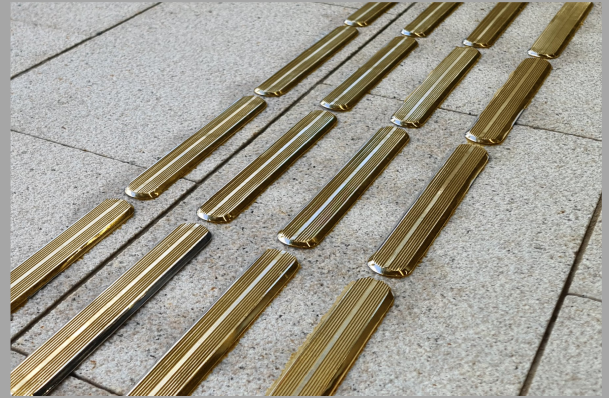


TOP VIEW



END VIEW

PREVIOUS PROJECTS



-  8 Cooper Street, Havelock North 4130
PO Box 8740, Havelock North 4130
-  Unit 2, 24 Inlet Road, Takanini
Auckland 2112
-  09 320 1338 or Toll Free 0800 687 004

ARCHITECTURAL PRODUCTS



Page 2

