



# GUIDEMASTER®

## TACTILE INDICATORS



PRODUCT DATA SHEET

Published August 2023

# GMBS20

*Guidemaster Directional / Leading  
Tactile Indicators—Brass with Black Carborundum*

GMBS20 Guidemaster Tactile Ground Surface Indicator – A Heavy Duty Brass warning tactile indicator with Carborundum Inner, recommended for indoors and outdoors, commercial carparks, footpaths, shopping centres, hospitals, schools – any public spaces requiring accessibility treatment.



### SPECIFICATIONS

**Masterspec Code** Interior: 6615FG / Exterior: 8281FG

**Warranties** **Installation warranty:** 1 year  
**Product warranty:** 10 years

**Code Compliance** **NZTA RTS14**—Land Transport New Zealand – Guidelines for facilities for the blind and vision impaired.  
**AS/NZS 1428.4:2009**—Design for access and mobility, Part 4  
**NZS4121:2001**—Design for access and mobility—building and associated facilities

All slip resistance tests are done in accordance with AS/NZS4586:2004– average COF #70

Land Transport’s Pedestrian Planning and Design Guide

The Royal N.Z. Foundation for the Blind Design Guide Recommendations/ Specifications

**Base Material** Brass

**Composite Material:** Black Carborundum

**Dimensions** **Outer:** 35mm  
**Top:** 25mm

**Features & Application** Provides warning to the blind and visually impaired

**Installation Methods** Drill and Adhesive Fix or Drill and Friction Fit in accordance to New Zealand Standards

**Sustainability** Declare Label Certified  
LBC Compliant—Red List Approved

**Slip Resistance Rating** P5 WET and DRY - SRV Value of 57

**Luminance Test** Provides colour contrast. Composite Discrete Tactiles must be 60% to that of the surround substrate surface area.

 8 Cooper Street, Havelock North 4130  
PO Box 8740, Havelock North 4130

 Unit 2, 24 Inlet Road, Takanini  
Auckland 2112

 09 320 1338 or Toll Free 0800 687 004

ARCHITECTURAL PRODUCTS

 **TREADMASTER®**  
ENTRANCE MATTING

 **STEPMASTER®**  
STAIR NOSINGS

 **GUIDEMASTER®**  
TACTILE INDICATORS

 **STRIDEMASTER®**  
WALKWAY INSERTS

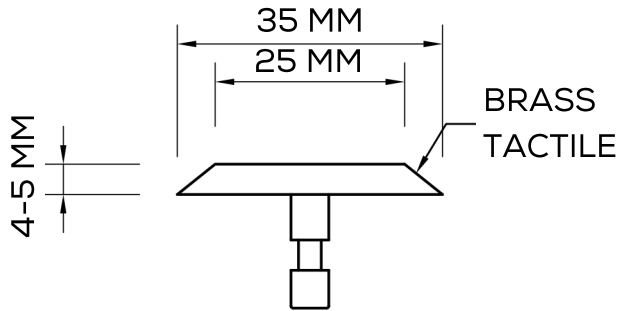
 **HALTMASTER®**  
TRAFFIC MANAGEMENT

Page 1

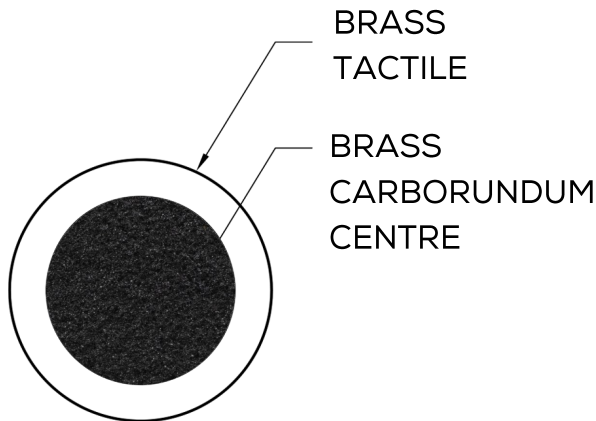




### PRODUCT TECHNICAL DRAWING



**SIDE VIEW**



**TOP VIEW**

### PREVIOUS PROJECTS

