



HMSH75

Haltmaster Speed Humps

HMSH75 Heavy Duty Haltmaster Speed Humps 75mm High – Rubber Speed Humps, recommended for installation on Carparks for Civil and Transport Sector.



SPECIFICATIONS

Masterspec Code	Interior: 8262HM
Warranties	Installation warranty: 1 year Product warranty: 10 years
Code Compliance	NZ Transport Agency Traffic Control Devices Manual (TCD Manual) - Section 1.6.4 of the rule provides guidance on the design and placement of wheel stops in parking areas. AS/NZS 2890:1:2004 - off street car parking Specifications NZS 2295:2006 - Parking Caravan, Motor Caravan and Bus Parks:

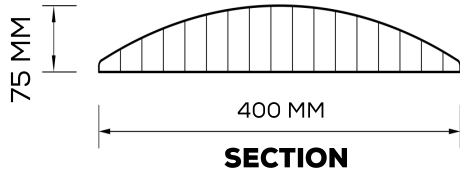
Base Material	Recycled Rubber
Finish	Black Rubber / Cats Eye Reflector's
Dimensions	Height: 70 mm Width: 400 mm Middle Section length: 500 mm End Section Length: 250 mm
Features	Can be used as a delineation device to separate lanes and also installed in strips to reduce traffic speeds. Distances can be varied between strips to obtain the required rumble effect. Available in black and yellow modules which are normally alternated to increase visibility. Textured top for maximum slip resistance.
Installation Methods	Mechanical Fixing Concrete Surface: 4 No 12 mm x 180mm Trubolt Asphalt Surface: 4 No 12 mm x 300mm Galv Spike Requires 3 fixing per Wheel Stop



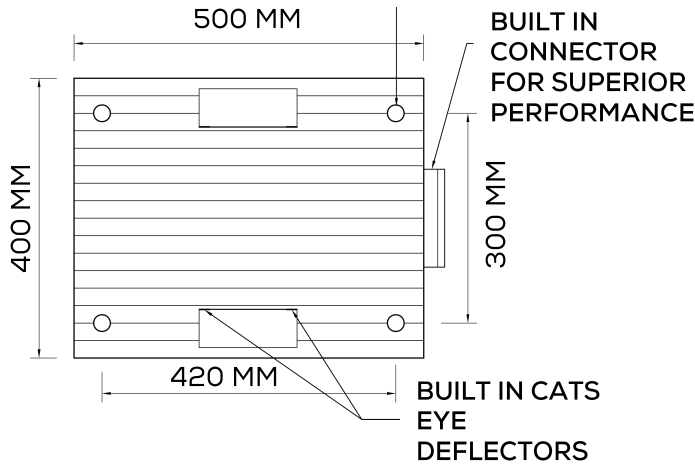


PRODUCT TECHNICAL DRAWING

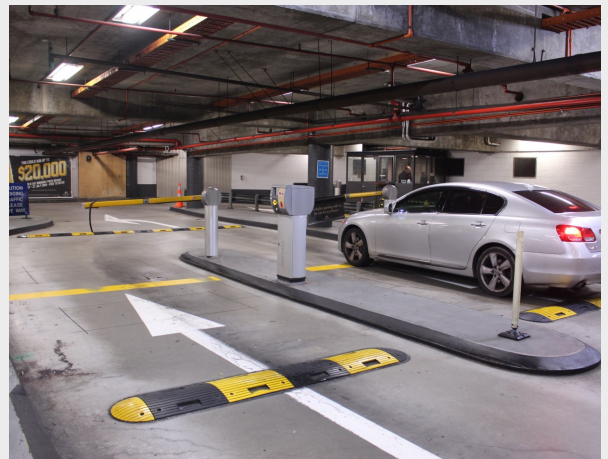
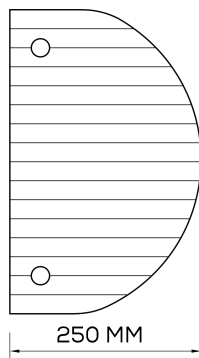
PREVIOUS PROJECTS



12MM FASTENING HOLES



PLAN - MIDDLE SECTION



- 8 Cooper Street, Havelock North 4130
PO Box 8740, Havelock North 4130
- Unit 2, 24 Inlet Road, Takanini
Auckland 2112
- 09 320 1338 or Toll Free 0800 687 004

ARCHITECTURAL PRODUCTS

TREADMASTER®
ENTRANCE MATTING

GUIDEMASTER®
TACTILE INDICATORS

STEPMASTER®
STAIR NOSINGS

STRIDEMASTER®
WALKWAY INSERTS

