



HMSSB110AT

Haltmaster Yellow Powder Coated Bollard

HMSSB110AT Heavy Duty Haltmaster Bollards – Angled Top Stainless Steel Round Bollards, recommended for installations on Back and Front of House, Service Areas, Hotel and Hospitality Sector, Health Care Sector, Consumer Staple Sector, Civil Sector, Transport Sector and Carparks.



SPECIFICATIONS

Masterspec Code	Interior: 8262HM
Warranties	Installation warranty: 1 year
	Product warranty: 10 years
Code Compliance	NZ Transport Agency Traffic Control Devices Manual (TCD Manual) - standard requirements for the design, installation, and use of traffic control devices on New Zealand roads.
	AS/NZS 2890:1:2004 - Parking facilities
	AS/NZS 3845:1999 - Road safety barrier systems

Material	316 Marine Grade Stainless Steel - Heavy Duty Safety Bollard
Finish	Brushed Stainless Steel
Dimensions	Diameter: 114mm Round
	Height: 900mm
	Base Plate: 200mm x 200mm
Features	Round with Angled Top
Installation Methods	Surface Mounted with mechanical fixing / 4 No 180mm x 12mm Tru Bolts
Optional Features	Red Reflective Tape
	Yellow Reflective Tape



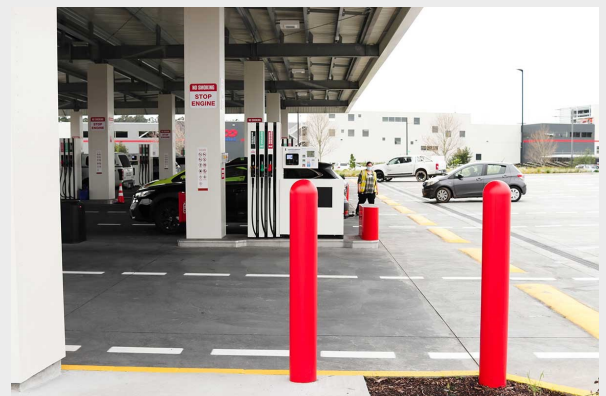
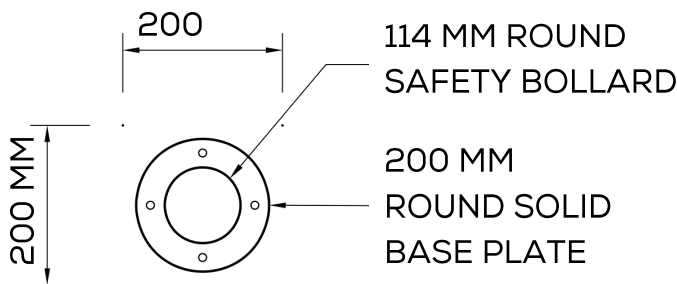
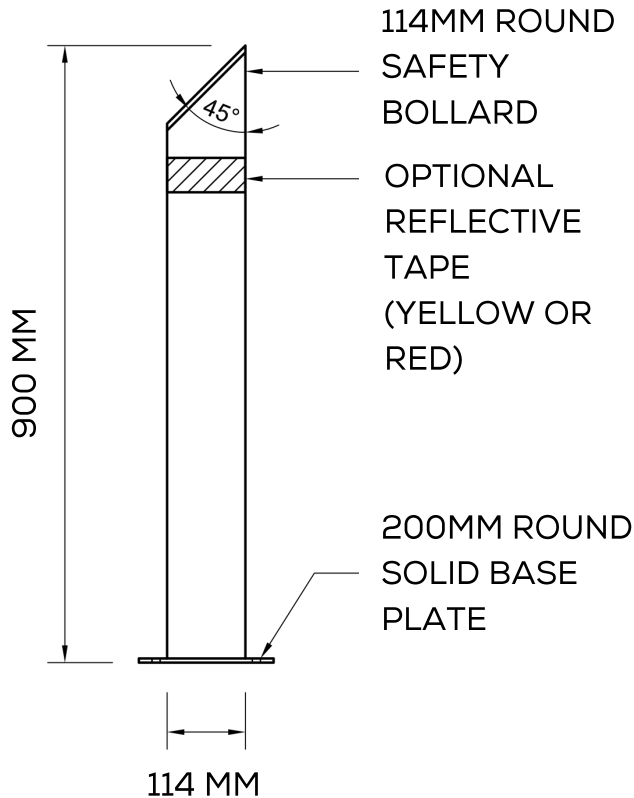


HALTMASTER[®] TRAFFIC MANAGEMENT



PRODUCT TECHNICAL DRAWING

PREVIOUS PROJECTS



8 Cooper Street, Havelock North 4130
PO Box 8740, Havelock North 4130

Unit 2, 24 Inlet Road, Takanini
Auckland 2112

09 320 1338 or Toll Free 0800 687 004

ARCHITECTURAL PRODUCTS

TREADMASTER[®]
ENTRANCE MATTING

GUIDEMASTER[®]
TACTILE INDICATORS

STEPMASTER[®]
STAIR NOSINGS

STRIDEMASTER[®]
WALKWAY INSERTS

HALTMASTER[®]
TRAFFIC MANAGEMENT

Page 2

