



# STEPMASTER

## STAIR NOSING



### PRODUCT DATA SHEET

Published August 2023

# SMI504

## Stepmaster Stair Insert

SMN504 Stair Insert – Solid brass stair insert, recommended for rebating on Accessible Stairs, Fire Egress Stairs and Feature Stairs.



### SPECIFICATIONS

<b>Masterspecs Code</b>	6614FS
<b>Warranties</b>	<b>Installation warranty:</b> 1 year <b>Product warranty:</b> 10 years
<b>Code Compliance</b>	<b>NZBC D1/AS1 Access routes</b> <b>NZS 4121 Design for access and mobility</b>
<b>Sustainability</b>	Declare Label Certified LBC Compliant—Red List Approved
<b>Slip Resistance</b>	AS/NZS 4586: 2004 Slip Resistance
<b>Rating</b>	Average COF of 62

### Base Material

Solid Brass

### Product Dimensions

**Stair Insert Width:** 8mm

**Stair Insert Depth:** 12mm

### Rebate

Recommended rebate for this system is 12mm deep and 3mm wide. If your substrate is less than 24mm thick please contact manufacturer prior to cutting rebates

### Installation Method

Adhesive fixing

### Application


1<sup>st</sup> Insert 25mm from Tread Edge, 2<sup>nd</sup>/3<sup>rd</sup> Insert at 22mm Centres.

### Features

Suitable for concrete and timber stairs as a rebated strip on the edge of the stair tread. Recommended to have 3 strips, 22mm apart to boost grip and colour contrast.

Can also be laid between ceramic tiles.

This profile has the advantage of 2mm cover, should the rebate have small chips once formed.

 8 Cooper Street, Havelock North 4130  
PO Box 8740, Havelock North 4130

 Unit 2, 24 Inlet Road, Takanini  
Auckland 2112

 09 320 1338 or Toll Free 0800 687 004

ARCHITECTURAL PRODUCTS



Page 1





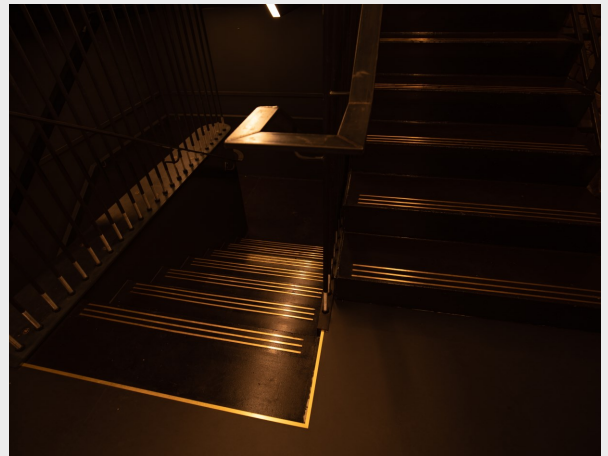
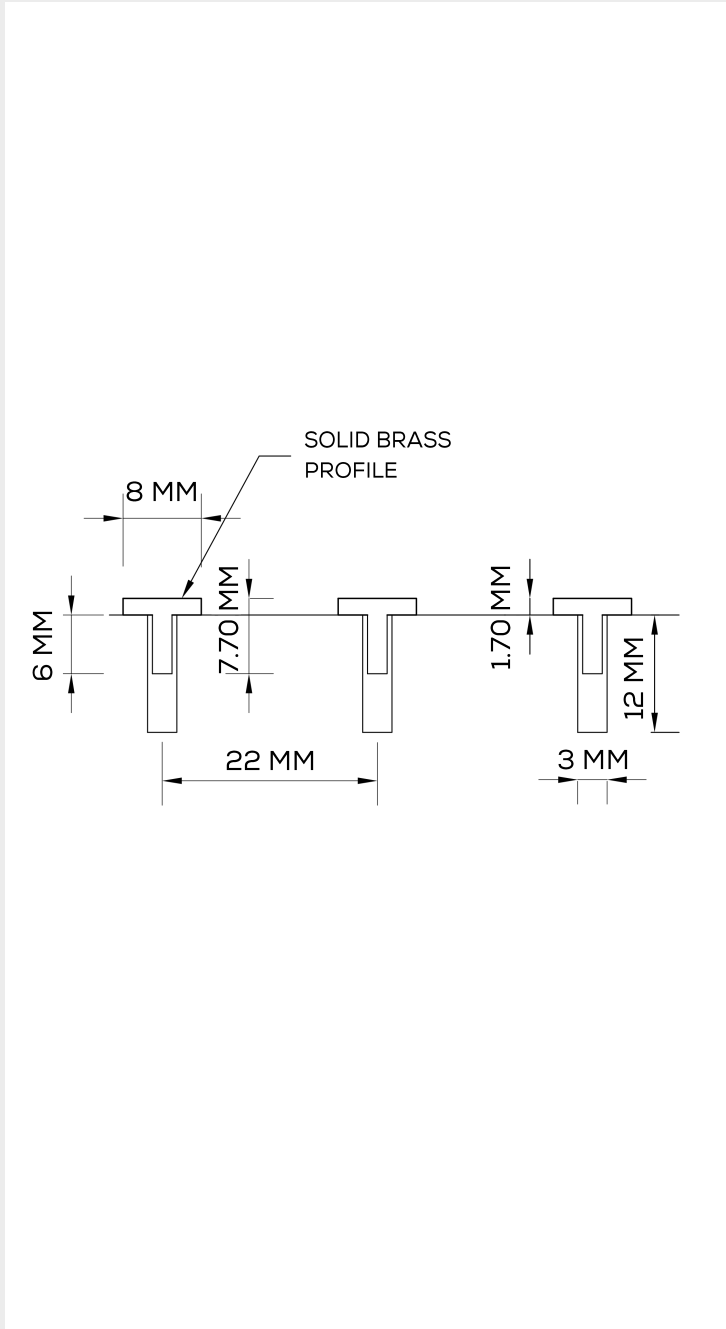
# STEPMASTER

## STAIR NOSING



### PRODUCT TECHNICAL DRAWING

### PREVIOUS PROJECTS



- 8 Cooper Street, Havelock North 4130  
PO Box 8740, Havelock North 4130
- Unit 2, 24 Inlet Road, Takanini  
Auckland 2112
- 09 320 1338 or Toll Free 0800 687 004

ARCHITECTURAL PRODUCTS



Page 2

