



STEPMASTER

STAIR NOSING



PRODUCT DATA SHEET

Published August 2023

SMI511

Stepmaster Stair Insert

SMN511 Stair Insert – Anodised aluminium with Solid Carborundum stair insert, recommended for rebating on Accessible Stairs, Common Stairs, Fire Egress and Feature Stairs.



SPECIFICATIONS

Masterspecs Code	6614FS
Warranties	Installation warranty: 1 year Product warranty: 10 years
Code Compliance	NZBC D1/AS1 Access routes NZS 4121 Design for access and mobility
Sustainability	Declare Label Certified LBC Compliant—Red List Approved
Slip Resistance	AS/NZS 4586: 2004 Slip Resistance
Rating	Average COF of 62

Base Material	Anodised Aluminium Base Profile
Finish	Silver, Black, Gold or Bronze Anodised—30 µm
Dimensions	Tread Width: 54mm Tread Thickness: 2.6mm
Rebate	Recommended rebate size for this system is 3mm deep and 55mm wide
Installation Method	Adhesive fixing
Insert Type	Solid epoxy based Carborundum—Heavy Duty, External Grade
Insert Colours	Black, Safety Yellow, Grey, Luminescent—other colours available upon request
Features	Recessed or surface mounted. Best suited for hard floor finishes



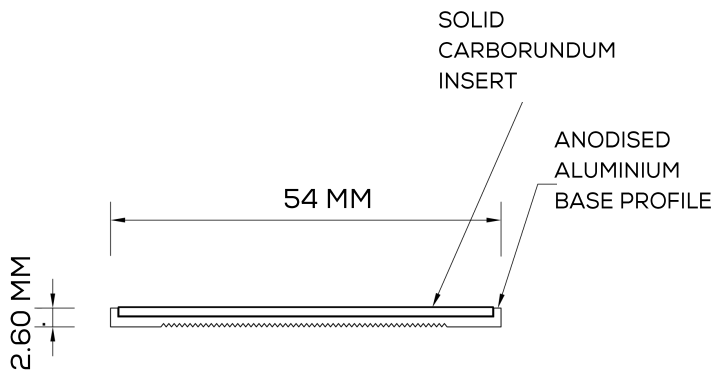


STEPMASTER

STAIR NOSING



PRODUCT TECHNICAL DRAWING



PREVIOUS PROJECTS



P +64 9 320 1338

A 8 Cooper Street, Havelock North 4130
PO Box 8740, Havelock North 4130

www.freedomstrategies.co.nz

ARCHITECTURAL PRODUCTS

 **GUIDEMASTER**
TACTILE INDICATORS

 **STEPMASTER**
STAIR NOSING

 **STRIDEMASTER**
WALKWAY INSERTS

 **TREADMASTER**
ENTRANCE MATTING

 **HALTMASTER**
TRAFFIC MANAGEMENT

