



STEPMASTER

STAIR NOSING



PRODUCT DATA SHEET

Published August 2023

SMI512

Stepmaster Stair Insert


SMN512 Stair Insert – Anodised aluminium with Solid Carborundum stair insert, recommended for rebating on Accessible Stairs, Common Stairs, Fire Egress and Feature Stairs.



SPECIFICATIONS

Masterspecs Code	6614FS
Warranties	Installation warranty: 1 year Product warranty: 10 years
Code Compliance	NZBC D1/AS1 Access routes NZS 4121 Design for access and mobility
Sustainability	Declare Label Certified LBC Compliant—Red List Approved
Slip Resistance	AS/NZS 4586: 2004 Slip Resistance
Rating	Average COF of 62

Base Material	Anodised Aluminium Base Profile
Finish	Silver, Black, Gold or Bronze Anodised—30 µm
Dimensions	14mm wide x 7mm deep
Rebate	Recommended rebate size for this system is 7mm deep and 14mm wide
Installation Method	Adhesive fixing
Insert Type	Solid epoxy based Carborundum—Heavy Duty, External Grade
Insert Colours	Black, Safety Yellow, Grey, Luminescent—other colours available upon request
Features	Recessed or surface mounted. Best suited for Timber stairs

-  8 Cooper Street, Havelock North 4130
PO Box 8740, Havelock North 4130
-  Unit 2, 24 Inlet Road, Takanani
Auckland 2112
-  09 320 1338 or Toll Free 0800 687 004

ARCHITECTURAL PRODUCTS



Page 1





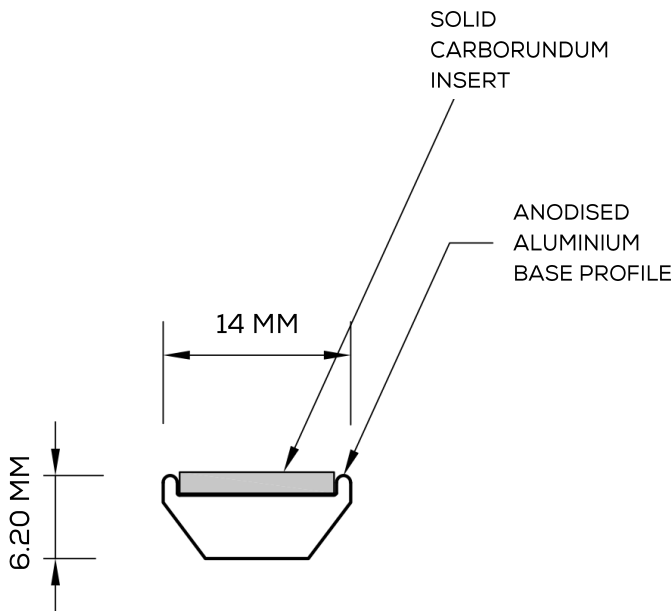
STEPMASTER

STAIR NOSING



PRODUCT TECHNICAL DRAWING

PREVIOUS PROJECTS



- 8 Cooper Street, Havelock North 4130
PO Box 8740, Havelock North 4130
- Unit 2, 24 Inlet Road, Takanini
Auckland 2112
- 09 320 1338 or Toll Free 0800 687 004

ARCHITECTURAL PRODUCTS



Page 2

