



STEPMASTER

STAIR NOSING



PRODUCT DATA SHEET

Published August 2023

SMN212

Stepmaster Stair Nosing

SMN212 Stair Nosing – Anodised Aluminium base with a Solid Carborundum Insert, recommended for surface mounting on Accessible Stairs, Fire Egress, Back of House, Common Stairs and Service Stairs.



SPECIFICATIONS

Masterspecs Code	6614FS
Warranties	Installation warranty: 1 year Product warranty: 10 years
Code Compliance	NZBC D1/AS1 Access routes NZS 4121 Design for access and mobility
Sustainability	Declare Label Certified LBC Compliant—Red List Approved
Slip Resistance	AS/NZS 4586: 2004 Slip Resistance
Rating	Average COF of 73

Base Material	Alloy: 6060, Temper: T5
Finish	Silver, Black, Bronze or Gold Anodised – 30 µm
Tread Width	68mm
Front Dept	10mm
Tread Thickness	5mm
Insert Type	Solid epoxy based Carborundum – Heavy Duty, External Grade
Insert Width	55mm
Insert Colours	Black, Safety Yellow, Luminescent, Grey –other colours available on request
Installation Method	Adhesive Only or Mechanical and Adhesive Fixing / Masonry screw 6mm x 30mm
Application	Predrilled and countersunk for secret screw fixing – One installed, insert covers all fixing

- 8 Cooper Street, Havelock North 4130
PO Box 8740, Havelock North 4130
- Unit 2, 24 Inlet Road, Takanini
Auckland 2112
- 09 320 1338 or Toll Free 0800 687 004

ARCHITECTURAL PRODUCTS



Page 1





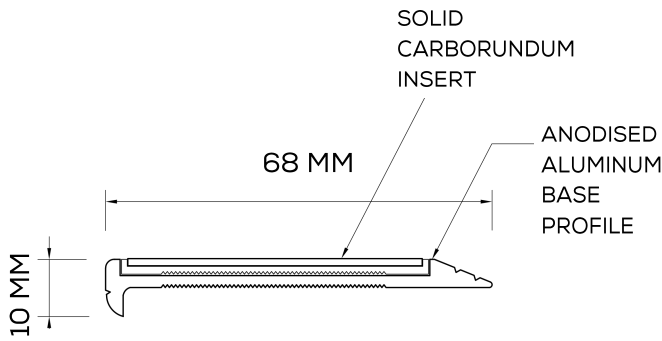
STEPMASTER

STAIR NOSING



PRODUCT TECHNICAL DRAWING

PREVIOUS PROJECTS



- 8 Cooper Street, Havelock North 4130
PO Box 8740, Havelock North 4130
- Unit 2, 24 Inlet Road, Takanini
Auckland 2112
- 09 320 1338 or Toll Free 0800 687 004

ARCHITECTURAL PRODUCTS



Page 2

