



STEPMASTER

STAIR NOSING



PRODUCT DATA SHEET

Published August 2023

SMN312

Stepmaster Stair Nosing

SMN312 Stair Nosing – Anodised Aluminium base with a Solid Santoprene Insert, recommended for surface mounting on Accessible Stairs, Fire Egress, Back of House, Common Stairs and Service Stairs.



SPECIFICATIONS

Masterspecs Code	6614FS
Warranties	Installation warranty: 1 year Product warranty: 5 years
Code Compliance	NZBC D1/AS1 Access routes NZS 4121 Design for access and mobility
Sustainability	Declare Label Certified LBC Compliant—Red List Approved
Slip Resistance	AS/NZS 4586: 2004 Slip Resistance
Rating	Average COF of 73

Base Material	Alloy: 6060, Temper: T5
Finish	Silver, Black, Bronze or Gold Anodised – 30 µm
Tread Width	68mm
Front Dept	10mm
Tread Thickness	5mm
Insert Type	Santoprene Rubber
Insert Width	55mm
Insert Colours	Black, White, Safety Yellow,, Grey —other colours available on request
Installation Method	Adhesive Only or Mechanical and Adhesive Fixing / Masonry screw 6mm x 30mm
Application	Predrilled and countersunk for secret screw fixing – One installed, insert covers all fixing

- 8 Cooper Street, Havelock North 4130
PO Box 8740, Havelock North 4130
- Unit 2, 24 Inlet Road, Takanini
Auckland 2112
- 09 320 1338 or Toll Free 0800 687 004

ARCHITECTURAL PRODUCTS



Page 1





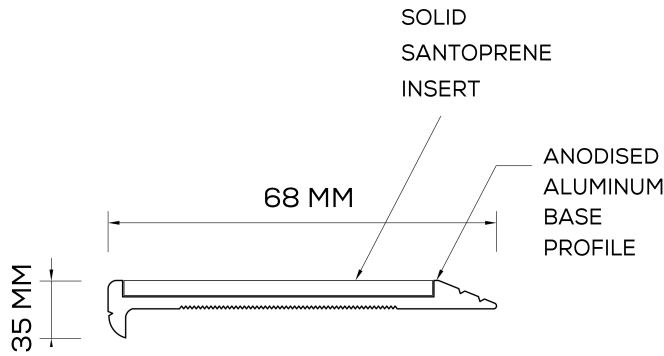
STEPMASTER

STAIR NOSING



PRODUCT TECHNICAL DRAWING

PREVIOUS PROJECTS



- 8 Cooper Street, Havelock North 4130
PO Box 8740, Havelock North 4130
- Unit 2, 24 Inlet Road, Takanini
Auckland 2112
- 09 320 1338 or Toll Free 0800 687 004

ARCHITECTURAL PRODUCTS



TREADMASTER®
ENTRANCE MATTING



GUIDEMASTER®
TACTILE INDICATORS



STEPMASTER®
STAIR NOSINGS



STRIDEMASTER®
WALKWAY INSERTS



HALTMASTER®
TRAFFIC MANAGEMENT

Page 2

