



# STEPMASTER

## STAIR NOSING



PRODUCT DATA SHEET

Published August 2023

# SMN313

## Stepmaster Stair Nosing

SMN313 Stair Nosing – Anodised Aluminium base with a Solid Santoprene Insert, recommended for rebating on Accessible Stairs, Fire Egress, Back of House, Common Stairs and Service Stairs.



### SPECIFICATIONS

<b>Masterspecs Code</b>	6614FS
<b>Warranties</b>	<b>Installation warranty:</b> 1 year <b>Product warranty:</b> 5 years
<b>Code Compliance</b>	<b>NZBC D1/AS1 Access routes</b> <b>NZS 4121 Design for access and mobility</b>
<b>Sustainability</b>	Declare Label Certified LBC Compliant—Red List Approved
<b>Slip Resistance</b>	AS/NZS 4586: 2004 Slip Resistance
<b>Rating</b>	Average COF of 73

<b>Base Material</b>	Alloy: 6060, Temper: T5
<b>Finish</b>	Silver, Black, Bronze or Gold Anodised – 30 µm
<b>Tread Width</b>	58mm
<b>Front Dept</b>	10mm
<b>Tread Thickness</b>	4.6mm
<b>Insert Type</b>	Santoprene Rubber
<b>Insert Width</b>	54mm
<b>Insert Colours</b>	Black, White, Safety Yellow, Grey —other colours available on request
<b>Installation Method</b>	Adhesive Only or Mechanical and Adhesive Fixing / Masonry screw 6mm x 30mm
<b>Application</b>	Predrilled and countersunk for secret screw fixing – One installed, insert covers all fixing

- 8 Cooper Street, Havelock North 4130  
PO Box 8740, Havelock North 4130
- Unit 2, 24 Inlet Road, Takanini  
Auckland 2112
- 09 320 1338 or Toll Free 0800 687 004

ARCHITECTURAL PRODUCTS



Page 1





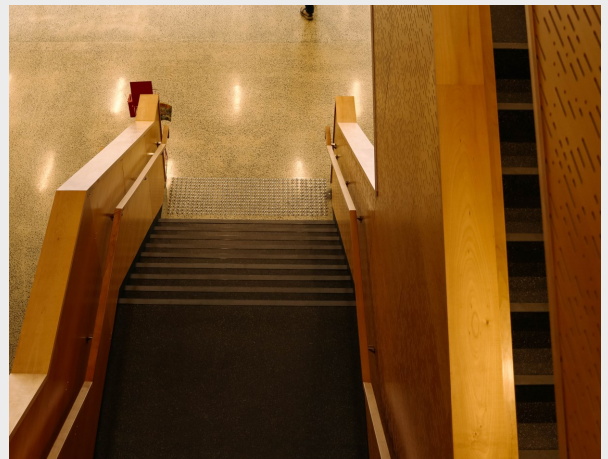
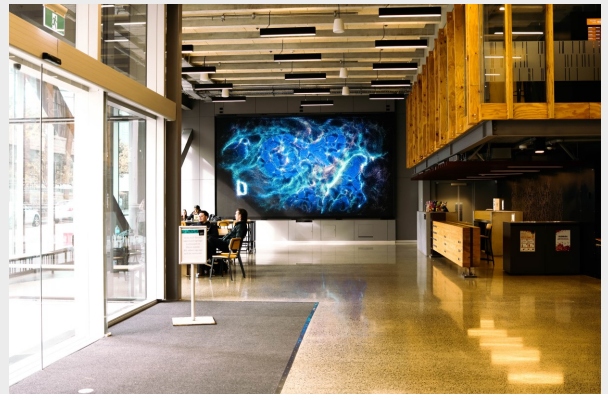
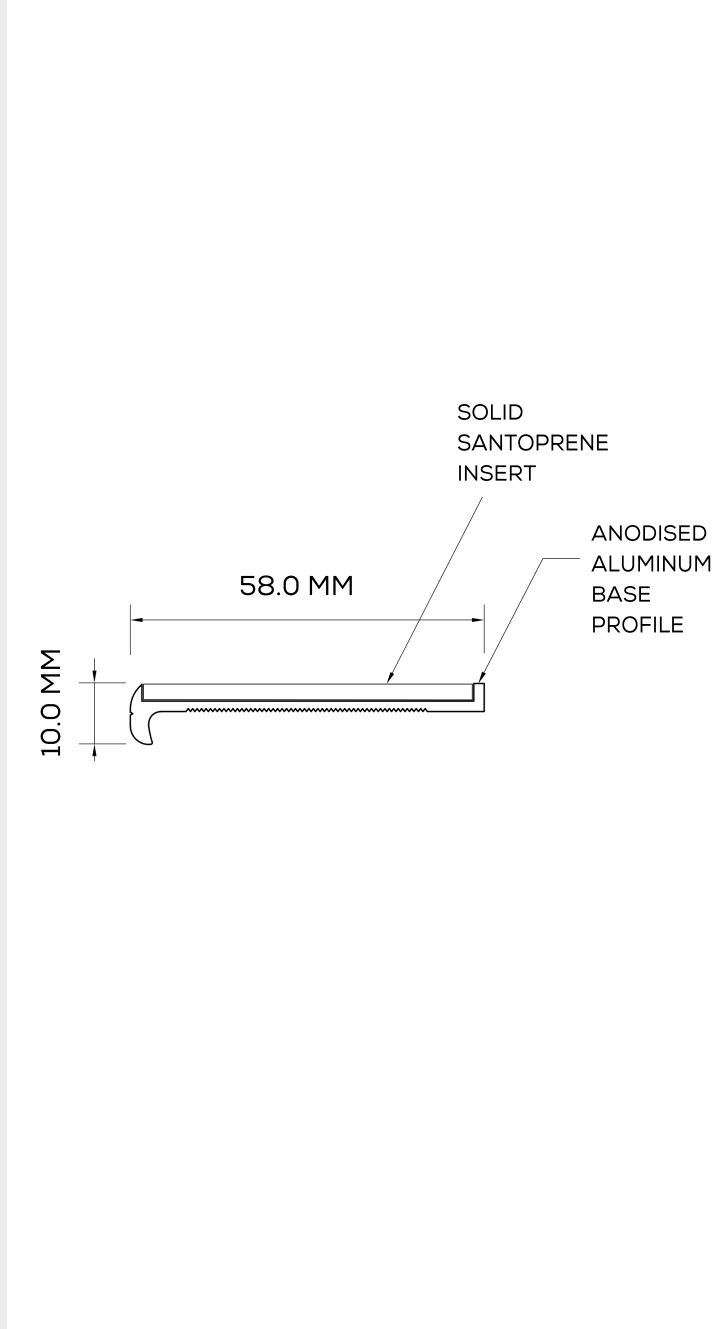
# STEPMASTER

## STAIR NOSING



### PRODUCT TECHNICAL DRAWING

### PREVIOUS PROJECTS



- 8 Cooper Street, Havelock North 4130  
PO Box 8740, Havelock North 4130
- Unit 2, 24 Inlet Road, Takanini  
Auckland 2112
- 09 320 1338 or Toll Free 0800 687 004

ARCHITECTURAL PRODUCTS



Page 2

