



Walkway Inserts - SMW40 Technical Data Sheet

| | | |
|---------------------------|--|---------|
| Product Name | SMW40 Walkway Insert – Silver | |
| Description | Anodised Aluminium Profile with Charcoal Bauxite aggregate resin infill system | |
| Freedom Works Code | SMW40 | |
| Masterspec Code | Interior | 4391FS |
| Warranty | Installation Warranty | 1 year |
| | Product Warranty | 5 years |

freedomworks.co.nz
sales@freedomworks.co.nz

09 320 1338
0800 687 004

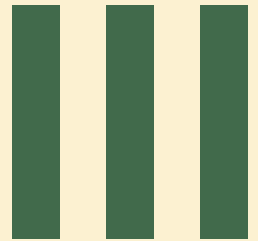
Scan to visit the webpage



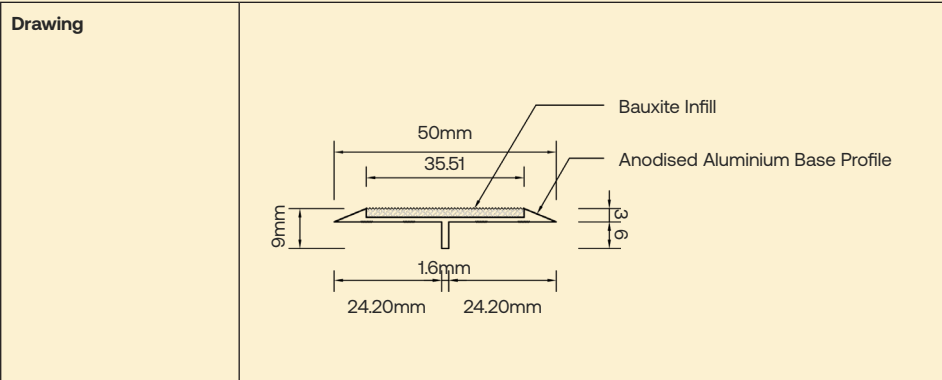
| | | |
|------------------------|---|---|
| Code Compliance | Clause 2.0 of NZBC D1 Acceptable Solutions and Verification Methods | Access Routes |
| | AS 4586: 2013 | Slip Resistance classification for new pedestrian surface materials |
| | NZS 4121:2001 | Design for Access and Mobility |

| | | |
|------------------------|--------------------|----------------------------------|
| Slip Resistance | Rating 90mm Timber | Transverse Direction SRV of 33 |
| | | Longitudinal Direction SRV of 70 |

| | | |
|--------------------------|---|---------------------------------------|
| Channel Profile | Aluminium Alloy: 6060, Temper: T5 | |
| Finish | Silver Anodized - 30 µm | |
| Dimensions | 90mm Timber Width | 1 Inserts Spacing |
| | | Timber edge to centre of insert: 45mm |
| | 140mm Timber Width | 1 Inserts Spacing |
| | | Timber edge to centre of insert: 70mm |
| Rebate Dimensions | 25mm wide x 8mm deep | |
| Infill Type | Bauxite Aggregate Resin System | |
| Infill Colour | Charcoal | |
| Features | Rebated for long term durability. Flush for to create non bumpy access for wheeled traffic while providing a high slip resistant finish | |
| Sustainability | Declare Label Certified | |
| | LBC Compliant | Red List Approved |
| | Reduced waste, lower carbon emissions, enhanced durability and improve safety | |



Walkway Inserts - SMW40 Technical Drawings & Imagery



freedomworks.co.nz
sales@freedomworks.co.nz

09 320 1338
0800 687 004

Scan to visit the webpage

