



Walkway Inserts - SMW60 Technical Data Sheet

Product Name	SMW60 Walkway Insert – Silver	
Description	Anodised Ribbed Aluminium Profile surface mounted and fits most groove decking profiles	
Freedom Works Code	SMW60	
Masterspec Code	Interior	4391FS
Warranty	Product Warranty	2 years

freedomworks.co.nz
sales@freedomworks.co.nz

09 320 1338
0800 687 004

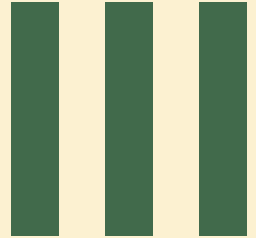
Scan to visit the webpage



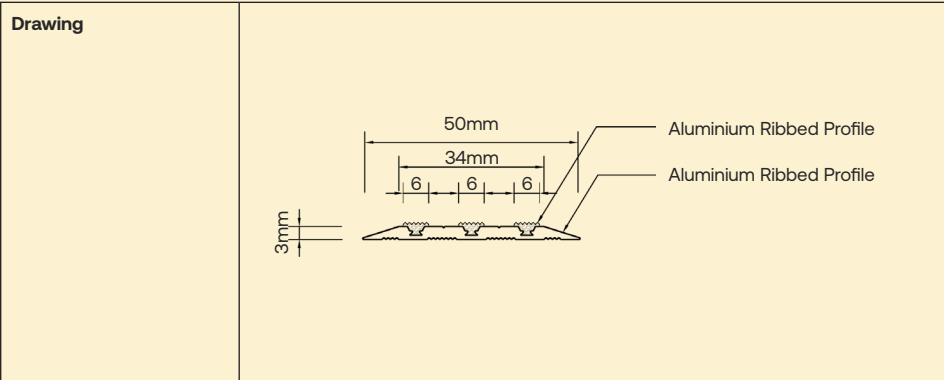
Code Compliance	Clause 2.0 of NZBC D1 Acceptable Solutions and Verification Methods	Access Routes
	AS 4586: 2013	Slip Resistance classification for new pedestrian surface materials
	NZS 4121:2001	Design for Access and Mobility

Slip Resistance	Rating 90mm Timber	Transverse Direction SRV of 33
		Longitudinal Direction SRV of 70

Channel Profile	Aluminium Alloy: 6060, Temper: T5	
Design	3 Row Bauxite Infill into a Silver Anodised Aluminium Ramp Strip	
Dimensions	90mm Timber Width	1 Inserts Spacing
		Timber edge to centre of insert: 45mm
	140mm Timber Width	1 Inserts Spacing
		Timber edge to centre of insert: 35mm
		Centre to centre of insert: 70mm
Width	50mm	
Height	3mm	
Features	Rebated for long term durability. Flush for to create non bumpy access for wheeled traffic while providing a high slip resistant finish	
Sustainability	Declare Label Certified	
	LBC Compliant	Red List Approved
	Reduced waste, lower carbon emissions, enhanced durability and improve safety	



Walkway Inserts - SMW60 Technical Drawings & Imagery



freedomworks.co.nz
sales@freedomworks.co.nz

09 320 1338
0800 687 004

Scan to visit the webpage

